

A Series

LED Explosion Proof Light



A2



A



A3



A4

Certifications:

- ◆ Marking ATEX
 - ⊕ II 3G Ex ec IIC T6...T3 Gc
 - ⊕ II 2D Ex tb IIIC T85°C...T103°C Db
- ◆ Marking IECEX
 - ⊕ Ex ec IIC T6...T3 Gc
 - ⊕ Ex tb IIIC T85°C...T100°C Db
- ◆ UL 844 Hazardous Locations
 - Class I, Division 2, Groups A, B, C, D
 - Class II, Division 1, Groups E, F, G
 - Class II, Division 2, Groups F, G
 - Class III
- ◆ UL 1598 Suitable for Wet Locations
- ◆ UL 1598A Marine Outside Type
- ◆ ABS
- ◆ IP66

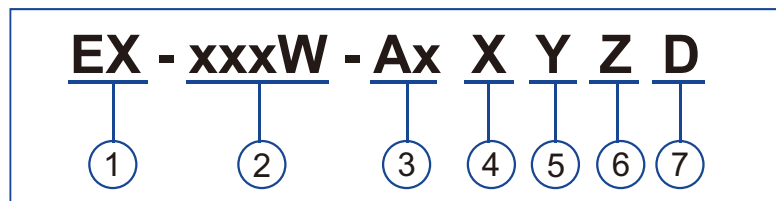
Key Features:

- 1 Dimmable and battery backup function is available.
- 2 High-quality SMT LED and Meanwell driver.
- 3 Heavy-duty and high impact resistance.
- 4 Replaceable LED board and drivers.
- 5 Integrated junction box for driver.
- 6 Marine rating powder coated finish treatment.
- 7 Various installation ways for different applications.
- 8 Glass lens or polycarbonate lens for making different beam angles.
- 9 5-year warranty.
- 10 Low temperature applications to -40°C (-40°F) and high temperature up to 50°C (122°F).
- 11 IK10

Standard Materials:

- ◆ Housing: Copper-free aluminum
- ◆ Lens: Tempered glass
- ◆ Hardware: Stainless steel
- ◆ Mounting Bracket: Stainless steel

Catalog Number Logic:



1. Product Category	Explosion Proof Product
2. Wattage	20W-400W
3. Product Series	A2, A, A3 and A4
4. Dimming Option	D=Dimmable; N=Non-dimmable
5. Color Temperature (CCT)	From 2200K to 7000K (22=2200K, ..., 70=7000K)
6. Beam Angle	D40=40°; D60=60°; D90=90°; D120=120°
7. Glass Type	A=blank: Flat glass; A=C: Spherical glass

LED Explosion Proof Light - A Series

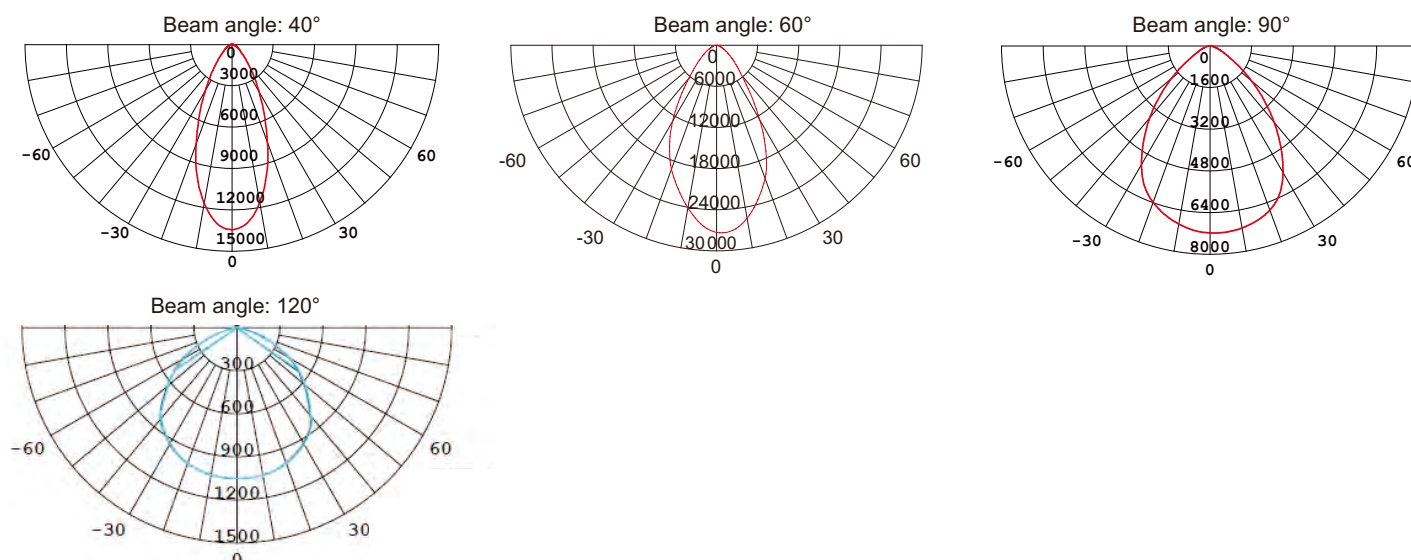
Technical Data:

Model	Power	Working Temperature	Voltage	Lumens (lm)	Efficacy (lm/W)	Fixed Power in Emergency Mode	Fixed Lumens in Emergency Mode (lm)	CRI	CCT	Emergency Time
EX-20W A2XYZD	20W	65°C	AC100-277V/ DC12-36V	2,600	130	10W	1200	>70	2200K- 7000K	180 minutes
EX-40W A2XYZD	40W	55°C		5,200						
EX-60W A2XYZD	60W	40°C		7,800						
EX-30W AXYZD	30W	65°C	AC100-277V/ AC200-480V/ DC12-36V	3,900						
EX-50W AXYZD	50W	55°C		6,500						
EX-80W AXYZD	80W	40°C		10,400						
EX-100W AXYZD	100W	40°C	13,000							
EX-50W A3XYZD	50W	65°C	AC100-277V/ AC200-480V/ DC12-36V	6,500						
EX-100W A3XYZD	100W	55°C		13,000						
EX-150W A3XYZD	150W	40°C		19,500						
EX-180W A3XYZD	180W	40°C	AC100-277V/ AC200-480V/ DC24-36V	23,400						
EX-200W A3XYZD	200W	40°C		26,000						
EX-80W A4XYZD	80W	65°C	AC100-277V/ AC200-480V/ DC12-36V	10,400						
EX-150W A4XYZD	150W	60°C		19,500						
EX-180W A4XYZD	180W	55°C	AC100-277V/ AC200-480V/ DC24-36V	23,400						
EX-200W A4XYZD	200W	55°C		26,000						
EX-250W A4XYZD	250W	50°C		32,500						
EX-300W A4XYZD	300W	40°C		39,000						
EX-400W A4XYZD	400W	40°C		52,000						

Packing Information:

Model	Quantity/Carton	Packing Size	Net Weight	Gross Weight
A 2	1 PC	365x270x305mm/14.37x10.63x12.01inch	4.15 kg/ 9.15 lb	5.3 kg/ 11.68 lb
A	1 PC	375x340x215mm/14.76x13.39x8.46inch	6.95 kg/ 15.32 lb	7.9 kg/ 17.42 lb
A3	1 PC	485x340x365mm/19.09x13.39x14.37inch	8.3 kg/ 18.30 lb	10.3 kg/ 22.71 lb
A4	1 PC	350x470x400mm/13.78x18.50x15.75inch	15.1 kg/ 33.29 lb	17 kg/ 37.48 lb

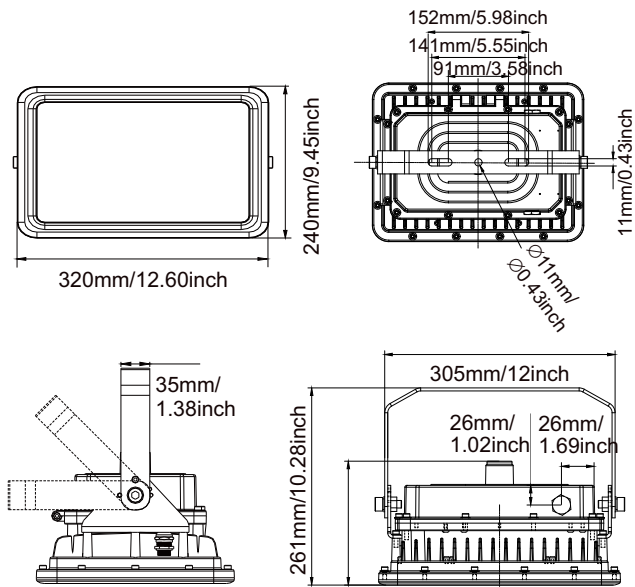
Photometry:



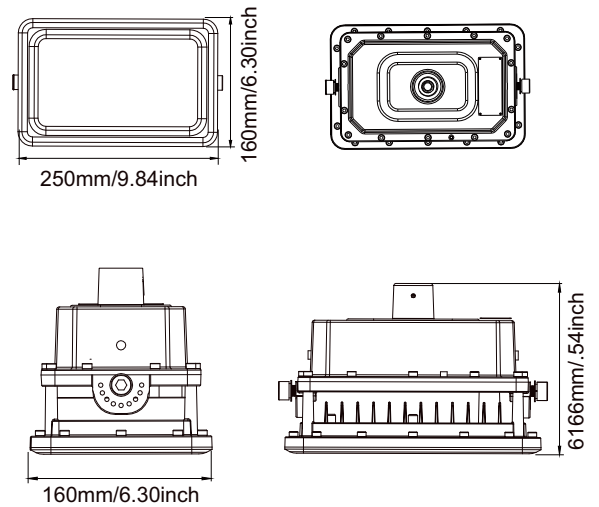
LED Explosion Proof Light - A Series

Dimensions:

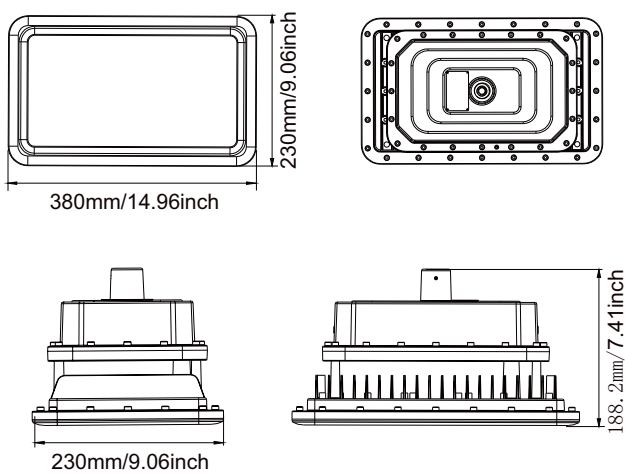
A Series



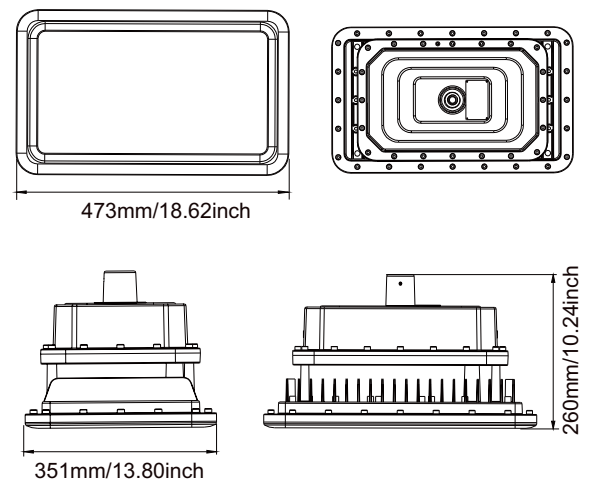
A2 Series



A3 Series



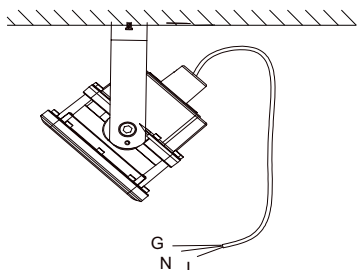
A4 Series



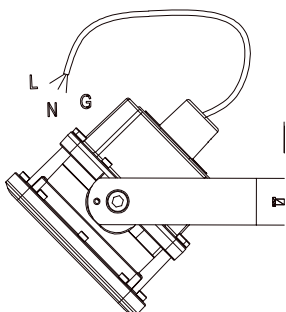
LED Explosion Proof Light - A Series

Mounting Methods:

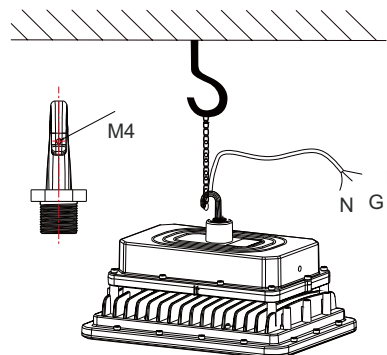
◆ Ceiling Mounting:



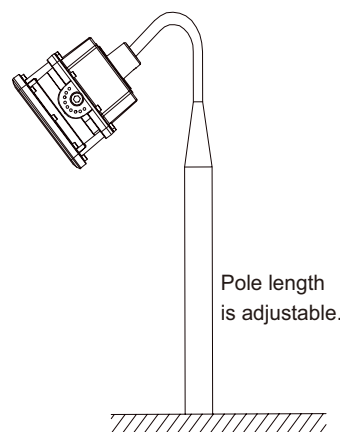
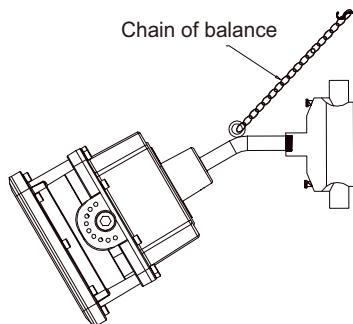
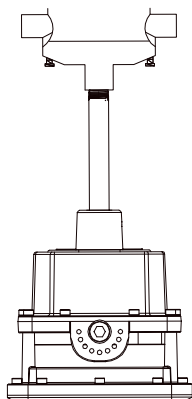
◆ Wall Mounting:



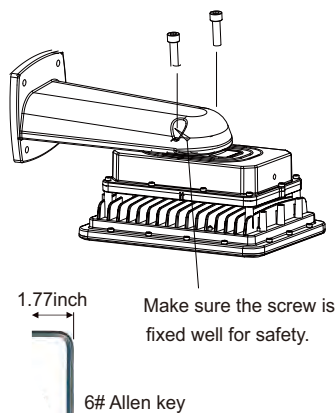
◆ Hook Mounting:



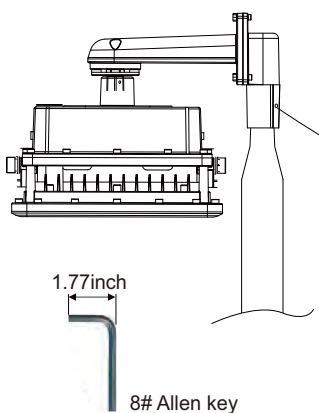
◆ Pole Mounting:



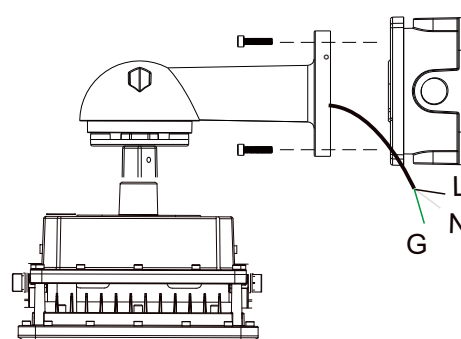
◆ Arm Mounting:



◆ Stanchion Mounting:



◆ Wall Mounting with Junction Box:



LED Explosion Proof Light - A Series

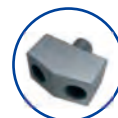
Accessories:



- **Model: Ex-Junction Box**
Name: Junction Box
Material: Aircraft Aluminum A383



- **Model: Ex-25P Support**
Name: 25° Pole Support
Material: Aircraft Aluminum A383



- **Model: Ex-D01**
Name: Pendant Direction Adapter
Material: Aircraft Aluminum A383



- **Model: Ex-Bended Pipe**
Name: Bended Pipe
Material: Iron



- **Model: Ex-25J Support**
Name: 25° Arm with Junction Box
Material: Aircraft Aluminum A383



- **Model: Ex-90P Support**
Name: 90° Pole Support
Material: Aircraft Aluminum A383



- **Model: Ex-MArm**
Name: Surface Mounting Arm
Material: Aircraft Aluminum A383



- **Model: Ex-25A Support**
Name: 25° Arm Support
Material: Aircraft Aluminum A356



- **Model: Ex-DArm**
Name: Direct Mounting Arm
Material: Aircraft Aluminum A383



- **Model: Ex-90J Support**
Name: 90° Arm with Junction Box
Material: Aircraft Aluminum A383



- **Model: Ex-Conduit 01**
Name: Metal Conduit
Material: Stainless Steel and Aluminum



- **Model: Ex-Hook**
Name: Installation Hook
Material: Aircraft Aluminum A383



- **Model: Ex-90A Support**
Name: 90° Arm Support
Material: Aircraft Aluminum A356



- **Model: Ex-Straight Pipe**
Name: Straight Pipe
Material: Iron

Applications:

- Oil and gas industry
 - All petroleum production and refining
 - Petroleum loading and transportation
 - Petroleum storage and retail
 - LNG industry
 - All mining operations and service
- Ocean, marine and aerospace field
 - Ocean platform operation facilities
 - Aerospace clean room and production
 - Ocean vessel operations
- Chemical industry
 - All types of paint facilities
 - Chemical production and storage
- Metal treatment
 - Steel and aluminum factories
 - Pumping stations in any environment
 - Metal smelting, foundry and fabrication
- Food and alcohol industry
 - Flour and fine particle production and storage
 - Food and distilling production
 - Alcohol industry
- Other high humidity, high dust, high temperature, vapor locations.